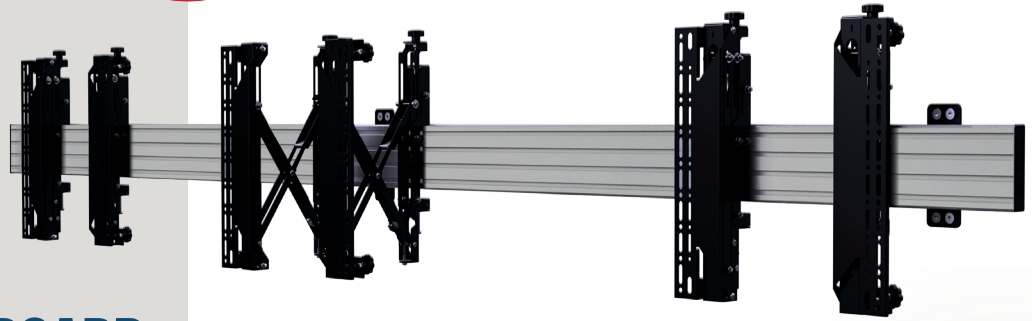




IDEAL FOR  
 RECESSED  
 INSTALLS

# BT8331

## UNIVERSAL POP-OUT MENU BOARD MOUNTING SYSTEM



The BT8331 is a modular wall mounting system for menu board installations of any size and features pop-in, pop-out interface arms designed to aid installation and allow access to the rear of the screens for servicing and maintenance. As part of the System X range, the BT8331 features a contemporary, lightweight yet incredibly strong design with a high-end aesthetic quality and micro-adjustment for seamless screen alignment.

### SPECIFICATION

Recommended screen size	39" - 70"
Max load	50kg (per screen)
VESA® & non-VESA fixings	up to 900mm*
Distance from wall (closed)	105.4mm (+/-10mm)
Distance from wall (open)	273mm (+/-10mm)
Colour (Interface arms)	Black
Colour (horizontal rail)	Silver

\*Refers to maximum vertical fixing dimension for a typical configuration. Correctly sized interface arms and adaptors will be supplied as necessary to suit the mounting pattern you require.

### FEATURES

- Universal design suitable for all sized screens up to 50kg (per screen)
- Features pop-in, pop-out function to allow access to the rear of screens for servicing and maintenance and to aid installation
- Tool-less micro-adjustments for seamless display alignment
- Ideal for recess mounting menu boards
- Suitable for landscape or portrait mounting
- High-end aesthetic quality
- Safety screws help prevent unauthorised removal of screens
- Arms include locking screw to prevent accidental pop-out of screens
- Multiple rail lengths available (rails can also be joined to create larger installs)



## CREATE YOUR MOUNTING SYSTEM ONLINE

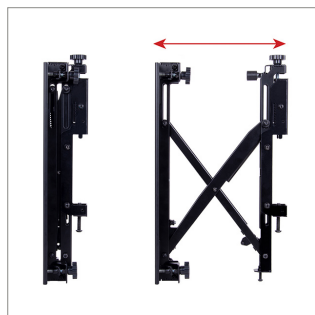
SPECIFY YOUR VIDEO WALL & MENU BOARD REQUIREMENTS ONLINE AND OUR SYSTEM X CONFIGURATION TOOL WILL CREATE A MOUNTING KIT TO SUIT YOUR NEEDS

There are thousands of System X configurations available! Visit our online configuration tool to specify setups, number of screens, number of rows and orientation.

Try now at [www.btechavmounts.com/systemx-configurator](http://www.btechavmounts.com/systemx-configurator)



Tool-less micro-adjustment for seamless display alignment



Push to open / push to close system provides quick and easy service access



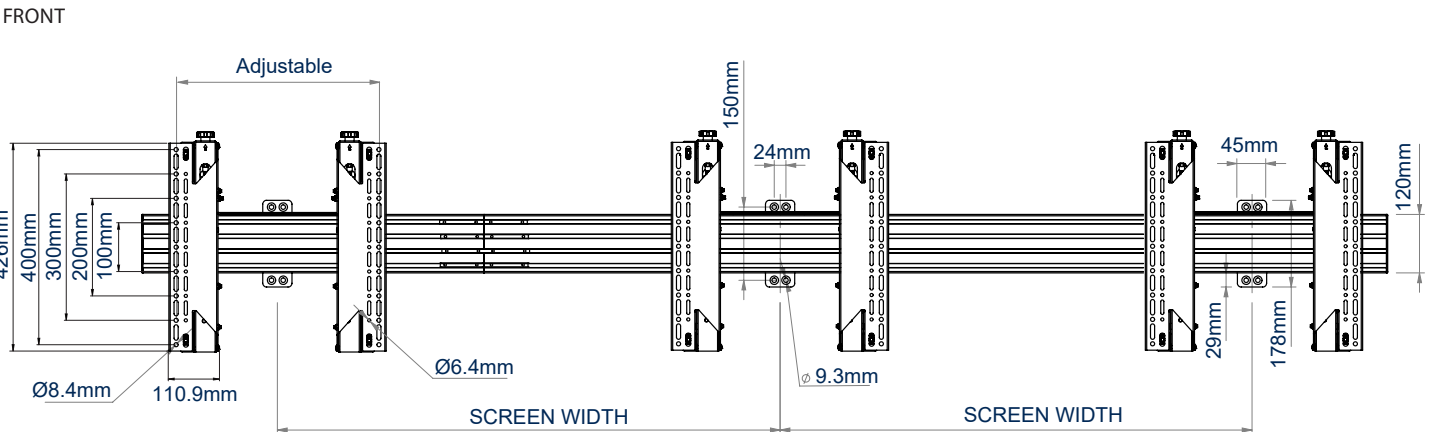
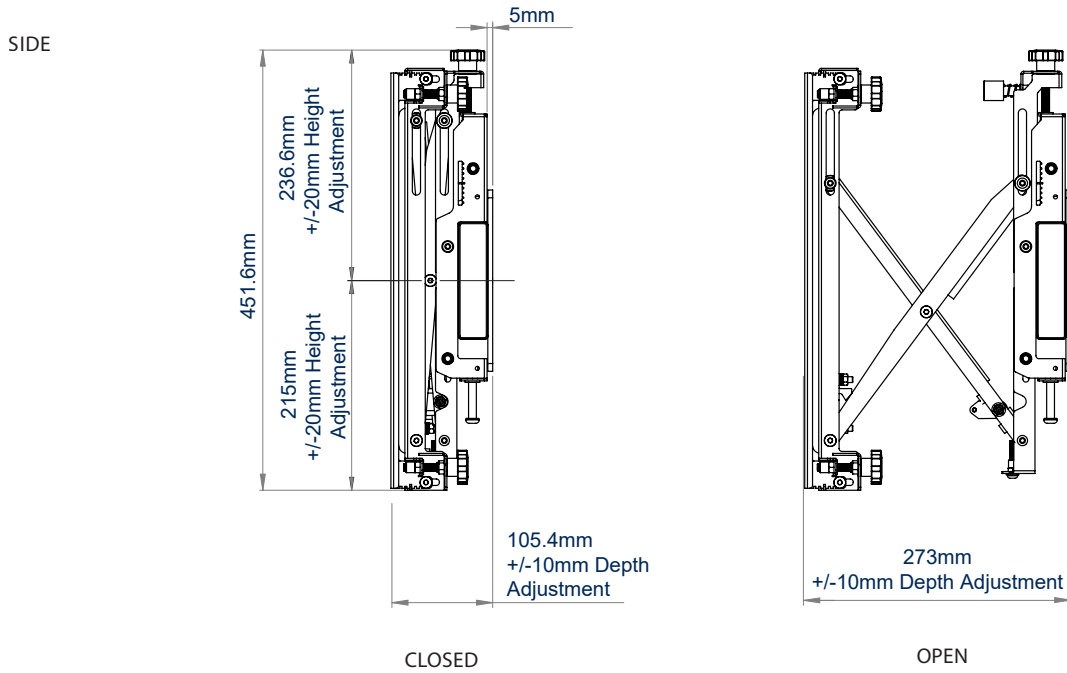
Multiple rail lengths available (rails can also be joined to create larger installs)



Safety screws help prevent unauthorised removal of screens



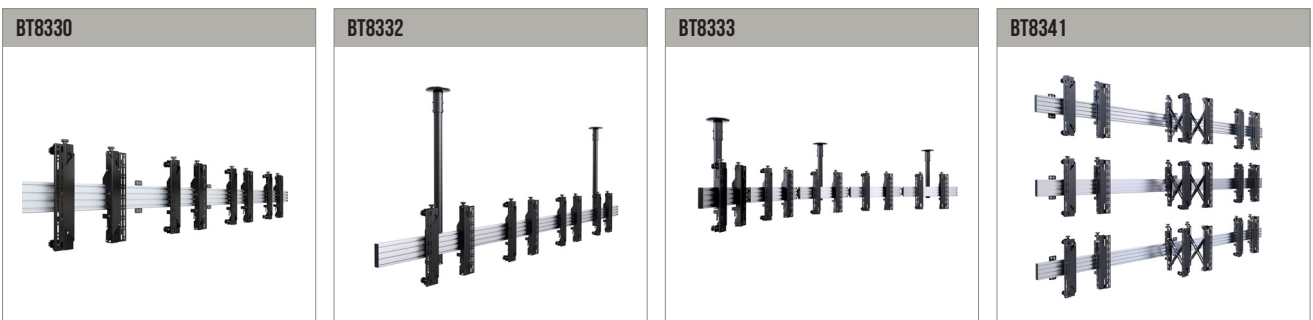
BT8331 configurations are made to your exact requirements and, as a result, utilise a varying combination of System X components in order to create the perfect solution. Below are technical drawings for the standard components used in every BT8331 configuration: **BT8390-VESA400MAP** Pop-Out Interface Arms, **BT8390-WFK1** Wall Fixing Kit and **BT8390** Mounting Rails (available in different lengths). Please visit our System X online configuration tool at [www.btechavmounts.com/systemx-configurator](http://www.btechavmounts.com/systemx-configurator) to specify your requirements. All dimensions will be automatically calculated and a complete mounting solution with all required parts will be created for you.



PACKING INFORMATION

COLOUR:	ORDER REF:	EAN CODE:
Silver	BT8331/S	5019318087356

ACCESSORIES AND RELATED PRODUCTS



**BT8330**  
Universal Menu Board Mounting System for wall mounted menu board configurations

**BT8332**  
Universal Ceiling Mounted Menu Board System for menu board configurations

**BT8333**  
Curved Universal Ceiling Mounted Menu Board Mounting System for portrait or landscape mounting

**BT8341**  
Universal Pop-Out Videowall Mounting System for video wall configurations

© 2015 B-Tech Av Mounts. All rights reserved. The information in this specification is subject to change without notice. B-Tech Av Mounts and the B-Tech logo are registered trademarks of B-Tech International Design & Manufacturing Ltd. All other trademarks are the property of their respective owners. B-Tech Av Mounts is not responsible for any damage caused by improper installation or use. Any reproduction or transmission of any part of this specification is strictly prohibited unless prior written permission has been granted by B-Tech International Design & Manufacturing Ltd. (B-Tech).

SS-BT8331-V2-2-180122